

# Smart String Inverter



## Higher Revenue

Max. efficiency 98.65%



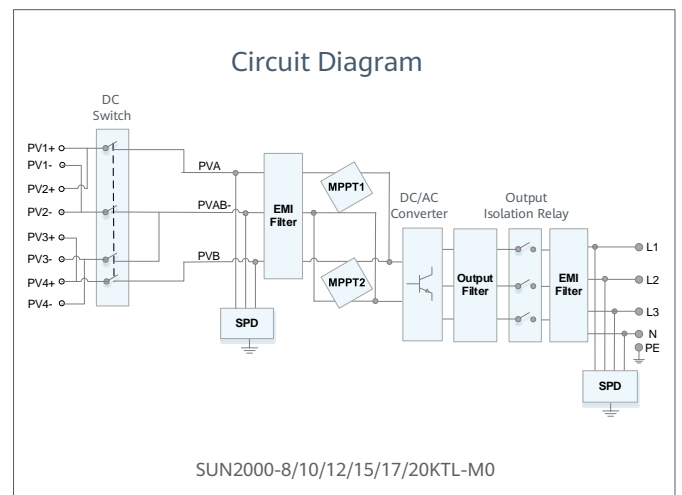
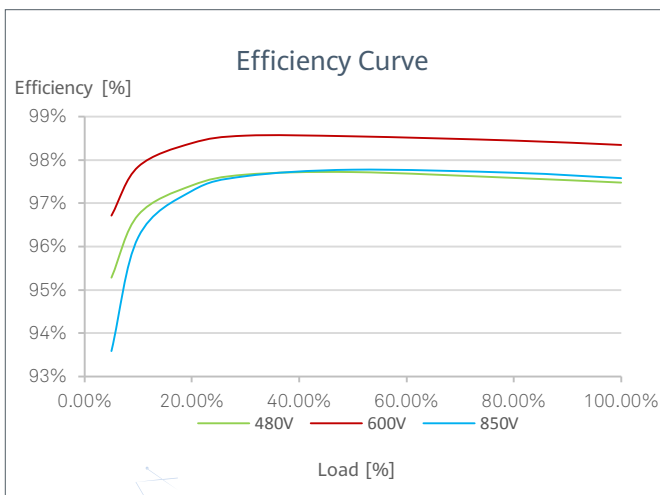
## Simple & Easy

25 kg



## Safe & Reliable

Built-in Arc fault protection



# SUN2000-8/10/12/15/17/20KTL-M0 Technical Specification

Technical Specification	SUN2000 -8KTL-M0	SUN2000 -10KTL-M0	SUN2000 -12KTL-M0	SUN2000 -15KTL-M0	SUN2000 -17KTL-M0	SUN2000 -20KTL-M0
-------------------------	---------------------	----------------------	----------------------	----------------------	----------------------	----------------------

## Efficiency

Max. efficiency	98.50%	98.50%	98.50%	98.65%	98.65%	98.65%
European weighted efficiency	98.00%	98.00%	98.00%	98.30%	98.30%	98.30%

## Input

Recommended max. PV power	16,000 Wp	20,000 Wp	24,000 Wp	26,880 Wp	26,880 Wp	26,880 Wp
Max. input voltage <sup>1</sup>	1,080 V					
Operating voltage range <sup>2</sup>	160 V ~ 950 V					
Start voltage	200 V					
Full power MPPT voltage range	320Vdc ~ 850Vdc	320Vdc ~ 850Vdc	380Vdc ~ 850Vdc	380Vdc ~ 850Vdc	400Vdc ~ 850Vdc	400Vdc ~ 850Vdc
Rated input voltage	600 V					
Max. input current per MPPT	22 A					
Max. short-circuit current	30 A					
Number of MPP trackers	2					
Max. number of inputs	4					

## Output

Grid connection	Three phase					
Rated output power	8,000 W	10,000 W	12,000 W	15,000 W	17,000 W	20,000 W
Max. apparent power	8,800 VA	11,000 VA	13,200 VA	16,500 VA	18,700 VA	22,000 VA
Rated output voltage	220 Vac / 380 Vac, 230 Vac / 400 Vac, 3W + N + PE					
Rated AC grid frequency	50 Hz / 60 Hz					
Max. output current	13.4 A	17 A	20 A	25.2 A	28.5 A	33.5 A
Adjustable power factor	0.8 leading ... 0.8 lagging					
Max. total harmonic distortion	≤ 3 %					

## Features & Protections

Input-side disconnection device	Yes
Anti-islanding protection	Yes
AC over-current protection	Yes
AC short-circuit protection	Yes
AC over-voltage protection	Yes
DC reverse-polarity protection	Yes
DC surge protection <sup>3</sup>	Yes
AC surge protection <sup>3</sup>	Yes
Residual current monitoring unit	Yes
Arc fault protection	Yes
Ripple receiver control	Yes

## General Data

Operation temperature range	-25 ~ + 60 °C (-13 °F ~ 140 °F) (Derating above 45 °C @ Rated output power)
Relative humidity	0 % RH ~ 100% RH
Max. operating altitude	0 - 4,000 m (13,123 ft.) (Derating above 2000 m)
Cooling	Natural Convection
Display	LED Indicators
Communication	RS485; WLAN via Smart Dongle-WLAN; 4G / 3G / 2G via Smart Dongle-4G
Weight (incl. mounting plate)	25 kg
Dimensions (W x H x D) (incl. mounting plate)	525 x 470 x 262 mm (20.7 x 18.5 x 10.3 inch)
Degree of protection	IP65
Nighttime Power Consumption	< 1 W

## Standard Compliance (more available upon request)

Safety	EN/IEC 62109-1, EN/IEC 62109-2, IEC 62116
Grid connection standards	AS/NZS 4777:2015

<sup>\*1</sup> The maximum input voltage is the upper limit of the DC voltage. Any higher input DC voltage would probably damage inverter.

<sup>\*2</sup> Any DC input voltage beyond the operating voltage range may result in inverter improper operating.

<sup>\*3</sup> Compatible TYPE II protection class according to EN/IEC 61643-11